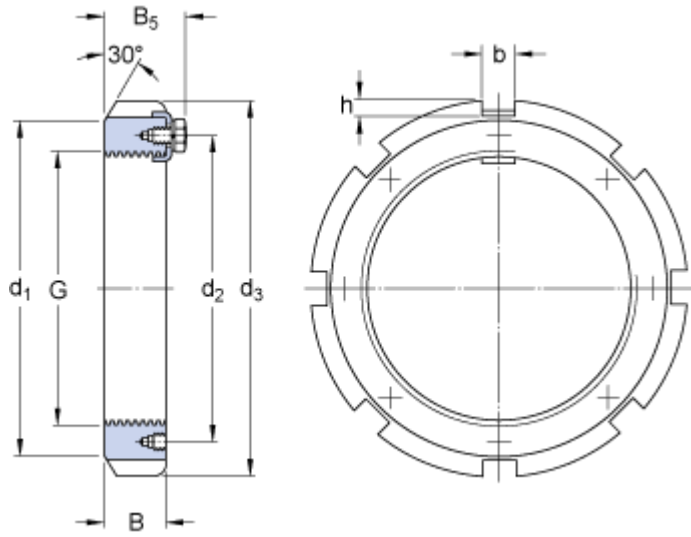


HM 3068

Dimensions



G	Tr 340x5	
d ₃	400	mm
B	45	mm
d ₁	376	mm
d ₂	356	mm
B ₅	58	mm
b	24	mm
h	12	mm

Mass

Mass lock nut	11	kg
---------------	----	----

Mounting information

Appropriate spanner	TMFN 52-64
---------------------	------------

Appropriate products

Locking clip	MS 3068-64
--------------	------------